

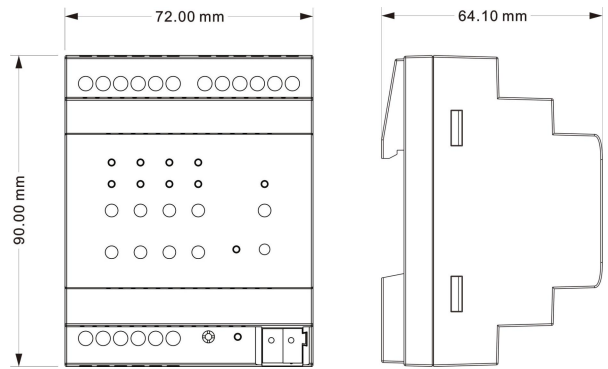
Technical Sheet For Shutter Actuator V2, 4fold

AWBS-04/06.2



The worldwide STANDARD for home and building control

DIMENSIONS

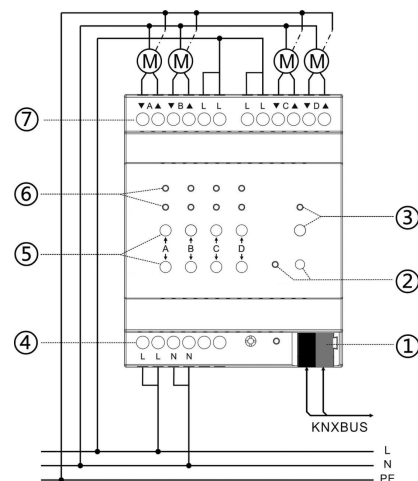


Model	Dimension	Weight
AWBS-04/06.2	72 x 90 x 64.1mm	0.3kg

CHARACTERISTICS

- Movement UP/DOWN
- Stop/Louvre adjustment
- Move into preset position (up to 2 preset positions)
- Set preset position (modification of the preset position during operation)
- Move to position 0...100%
- Adjustment louvre to position 0...100% (only Blind "Blind" working mode)
- Scenes
- Automatic sun protection
- Monitoring of wind, rain and frost protect (cyclical)
- Block
- Forced operation
- Status display of the current position, status display of the current operating mode
- LED display
- Two working mode, Venetian Blind and Shutter

DESCRIPTIONS



PARAMETERS

Power Supply	Bus voltage	21~30V DC , via the KNX bus
	Bus current	<9mA, 24V <7.5mA, 30V
	Bus consumption	<225mW
Auxiliary Supply	Voltage	100~240V AC, 50/60Hz
	Current	<17mA, 220V AC
	Consumption	<3.7W, 220V AC
Outputs	4 independent output, each with 1 changeover contact (UP/DOWN mechanically interlocked)	
	Nominal voltage	230V AC
	Load capacity	300W
Connections	KNX	Bus connection terminal(black/red)
	Load circuits/230V AC input	Screw terminals, Wire Range Multi-core 0.2-1.5mm ² Single core 0.2-2.5mm ² Torque 0.4N·m

- ① Bus terminal
- ② Programming Button and LED
- ③ Man. /Auto. Button and LED
- ④ 230V AC drive voltage input terminals
- ⑤ Operation buttons, Up/Down/Stop/Step
- ⑥ LEDs, displaying direction and limit position
- ⑦ Load circuit connection terminals

INSTALLATION FIGURE

The devices are suitable for installation on the distribution boards with 35mm mounting rail which complies with DIN EN 60715 or a small box in order to facilitate quick installation of the device. Must ensure that the device operation, testing, detecting, maintenance correctly.

IMPORTANT INFORMATION

Installation and commissioning of the device may only be carried out by trained electricians. The relevant standards, directives, regulations and instructions must be observed when planning and implementing the electrical installation.

- Protect the device against moisture, dirt and damage during transport, storage and operation!
- Do not operate the device outside the specified technical data (e.g. temperature range)!
- The device may only be operated in closed enclosures (e.g. distribution boards).

Should the device become soiled, it may be cleaned with a dry cloth. If this does not suffice, a cloth lightly moistened with soap solution may be used. On no account should caustic agents or solvents be used.

Operating and display	UP/DOWN buttons	2 push buttons per output for UP and DOWN or STOP/Louvre adjustment
	Display of direction of travel/ position	2 LEDs per output for UP and DOWN (Travel/Adjustment) or the very top/bottom
	Man. /Auto. push button	For toggling between manual operation and automatic operation
	Man. /Auto. LED	For displaying the operating mode
Temperature	Operation	-5 °C ... + 45 °C
	Storage	-25 °C ... + 55 °C
	Transport	- 25 °C ... + 70 °C

百叶窗执行器 V2 技术规格书

适用型号:

AWBS-04/06.2

国际标准的家庭和楼宇控制系统



产品功能

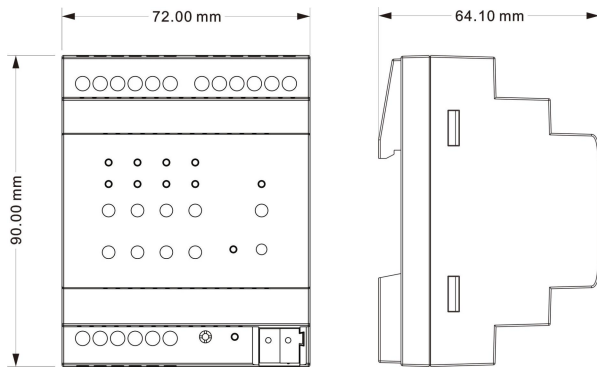
- 向上/向下移动
- 停止/调整百叶
- 预设移动位置 (最多 2 个预设位置)
- 设置位置 (在操作期间修改预设位置)
- 移动到位置
- 百叶调整到位置 0...100%(仅用于“Blind”工作模式)
- 场景
- 自动太阳防护
- 周期性监测风, 雨和霜冻保护
- 阻塞
- 强制操作
- 当前位置状态回复, 当前操作状态回复
- LED 指示
- 两种操作模式 (“Blind”和“Shutter”)

技术参数

电 源	总线电压	21~30V DC, 由 KNX 总线提供
	总线电流	<9mA, 24V
	总线功耗	<225mW
辅助电源	电压	100~240V AC, 50/60Hz
	电流	<17mA, 220V AC
	功耗	<3.7W, 220V AC
输 出	四路独立输出, 每路带有 1 个转向触点 (向上/向下机械互锁)	
	额定电压	230V AC
	带载能力	300W
连 接	KNX	总线连接端子(直径 0.8mm)
	负载电路/230V AC 输入	螺丝接线柱连接 线径多芯 0.2-1.5mm ² , 单芯 0.2-2.5mm ² , 扭力矩 0.4N·m

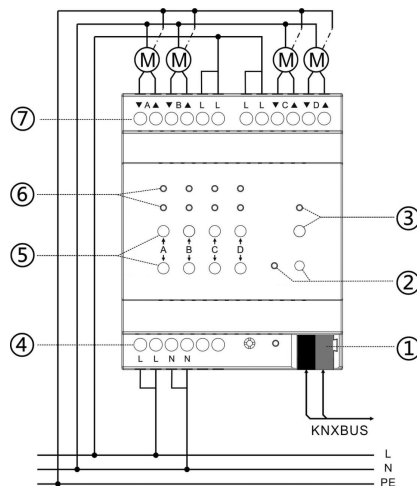
操作和指示	手动操作按钮	每路输出有两个按钮, 用于向上/向下移动百叶窗/窗帘, 或停止/调整百叶
	移动的方向和位置指示	每路输出对应 2 个 LED, 用于指示向上/向下移动/调整, 或指示极限位置到达
	手动/自动按钮	切换手动/自动 (KNX) 操作模式
	手动/自动 LED	指示手动/自动 (KNX) 操作模式状态
	编程按键和红色 LED	分配物理地址
温度范围	绿色 LED 闪烁	指示设备应用层工作正常
	运行	-5 °C ... + 45 °C
	存储	-25 °C ... + 55 °C
	运输	- 25 °C ... + 70 °C

尺寸规格



型号	尺寸	重量
AWBS-04/06.2	72 x 90 x 64.1mm	0.3kg

接线图



说明

- ① 总线连接端子
- ② 编程按钮和 LED
- ③ 手动/自动 (KNX) 按钮和 LED
- ④ 230V AC 驱动电压输入端
- ⑤ 手动操作按钮, 上移/下移/停止/调整
- ⑥ LED 指示, 移动方向/极限位置
- ⑦ 负载电路连接终端

安装说明

此设备为了方便快速安装到配电箱或小盒子里面, 根据 EN 60715 系列设计成模块化安装设备, 能安装在 35 毫米丁导轨上。安装时必须确保设备操作、测试、检测、维护、维修正确无误。

重要提示

安装和调试设备只能由合格的熟练电工来操作。在计划与实施电气安装的过程中相关的标准、指令、规则和指示都要严格执行。

- 需要避免器件在运输、储存、使用的过程中受潮、脏污以及受损。
- 不要使器件运行在指定的技术指标之外 (例如温度范围)。
- 器件只可以运行在封闭的环境中 (例如配电箱)。

当设备脏污时, 只可以使用干燥的布来清洁。如果这样不足以清洁干净, 可以使用湿布蘸少许肥皂溶液轻轻擦拭。绝不能使用碱剂或者腐蚀性溶剂。